

PAPER TRAY UNIT
(Machine Code: G555)

ENVELOPE FEEDER
(Machine Code: G556)

1. REPLACEMENT AND ADJUSTMENT

⚠ CAUTION

Turn off the main power switch and unplug the machine before attempting any of the procedures in this section.

NOTE: This manual uses these symbols.

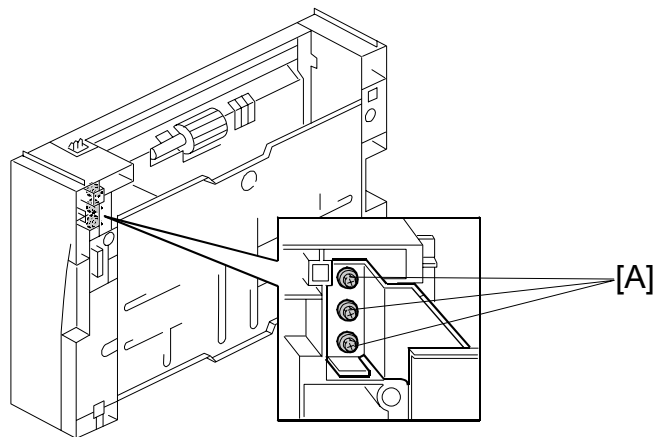
☞: See or Refer to

🔩: screw

🔌: connector

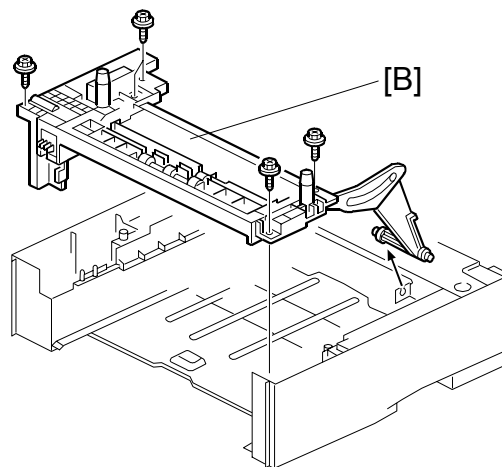
1.1 PAPER FEED UNIT

- Remove the paper tray unit from the main unit.
- Pull out the paper tray.



G555R110.WMF

Turn the paper tray unit over and remove the three sliver screws [A] first. Do not remove the other screws from this side.

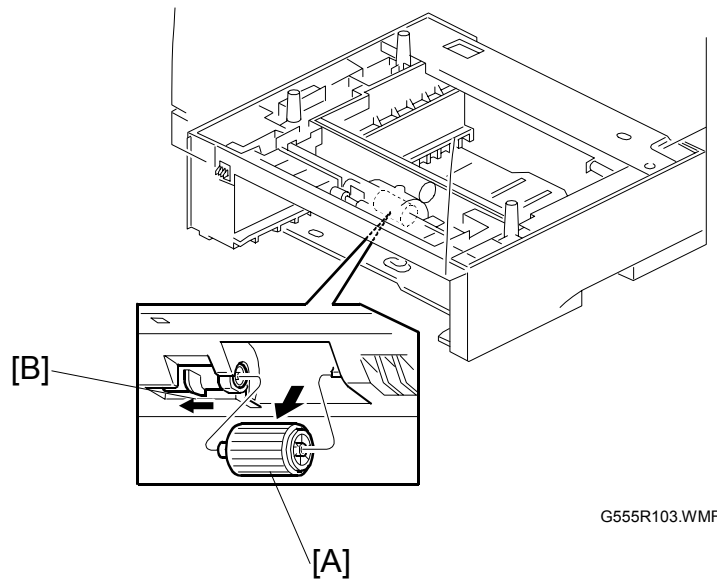


G555R101.WMF

[B]: Remove the paper feed unit (🔩 x 5).

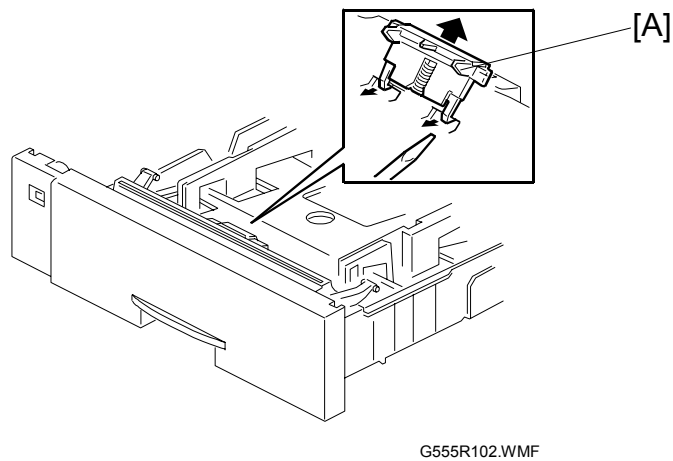
NOTE: You must remove eight screws in total to remove the paper feed unit [B].

1.2 PAPER FEED ROLLER



- Pull out the paper tray
- [A]: Paper feed roller (move the lever [B] to the left)

1.3 FRICTION PAD

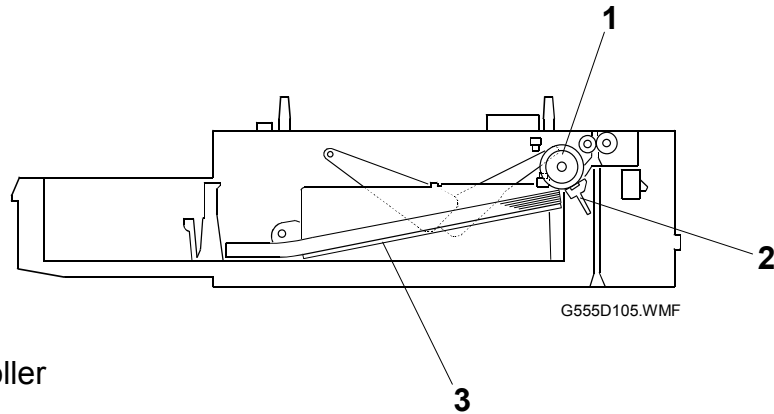


- Pull out the paper tray.
- [A]: Friction pad

2. DETAILED DESCRIPTIONS

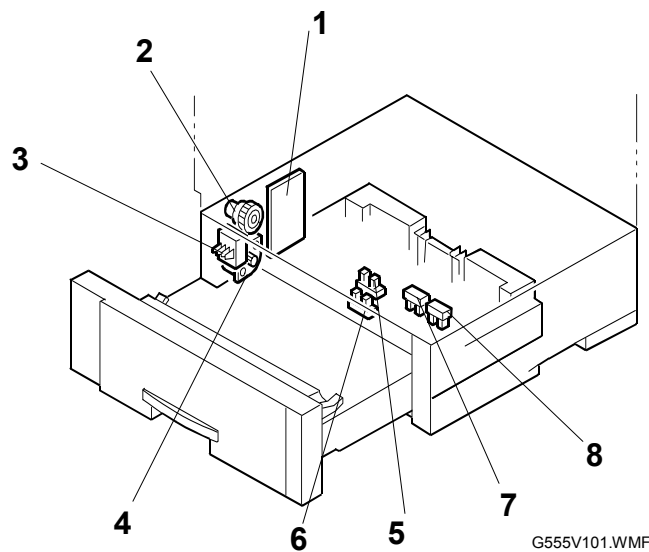
2.1 OVERALL MACHINE INFORMATION

2.1.1 MECHANICAL COMPONENT LAYOUT



1. Paper feed roller
2. Friction pad
3. Bottom plate

2.1.2 ELECTRICAL COMPONENT LAYOUT

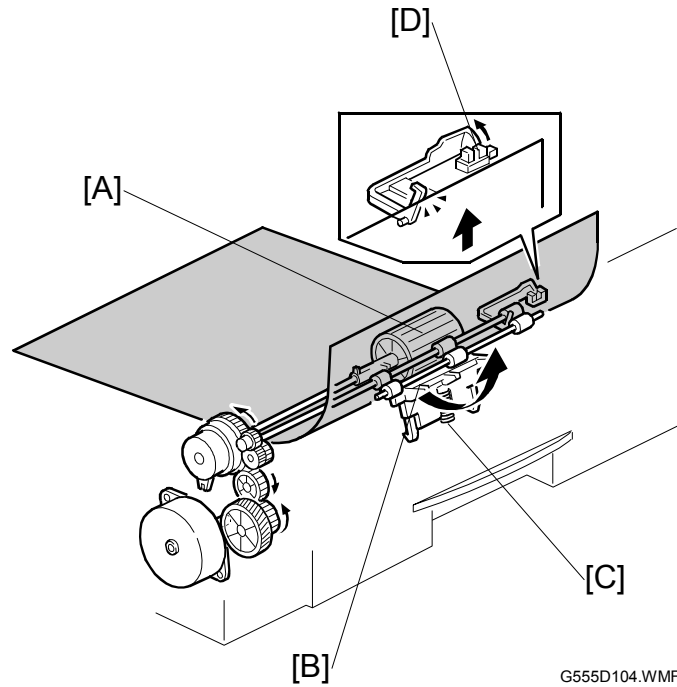


- | | |
|----------------------|-----------------------------|
| 1. Paper tray board | 5. Paper feed sensor |
| 2. Paper feed clutch | 6. Paper end sensor |
| 3. Paper size switch | 7. Remaining paper sensor 1 |
| 4. Paper feed motor | 8. Remaining paper sensor 2 |

Peripherals

2.2 DETAILED SECTION DESCRIPTIONS

2.2.1 PAPER FEED AND SEPARATION



NOTE: The paper tray holds 500 sheets.

- The paper feed unit uses a feed roller and friction pad mechanism.

[A]: Paper feed roller

[B]: Friction pad

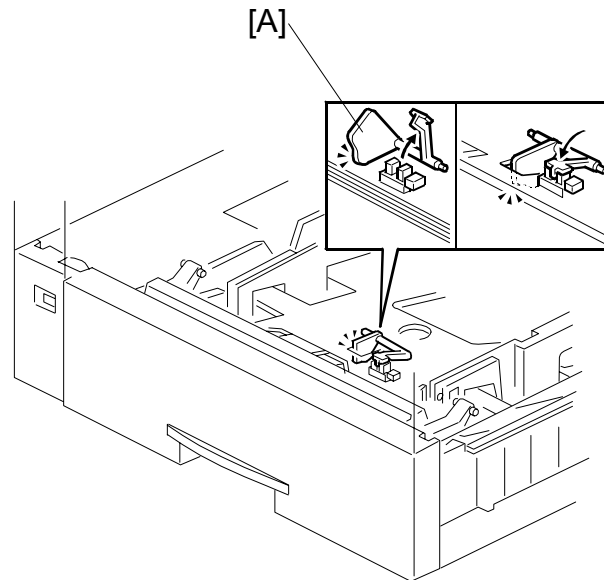
[C]: Pressure spring

[D]: Paper feed sensor

2.2.2 PAPER LIFT

Paper lift is the same as for the main unit.

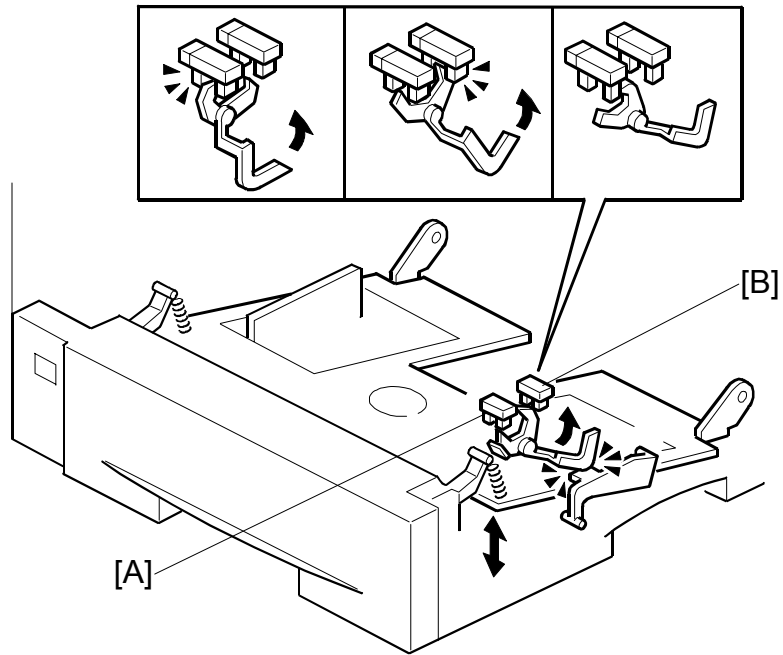
2.2.3 PAPER END DETECTION



G555D103.WMF

- When the paper tray runs out of paper, the feeler [A] drops into the cutout in the bottom plate to actuate the paper end sensor.

2.2.4 REMAINING PAPER DETECTION



G555D108.WMF

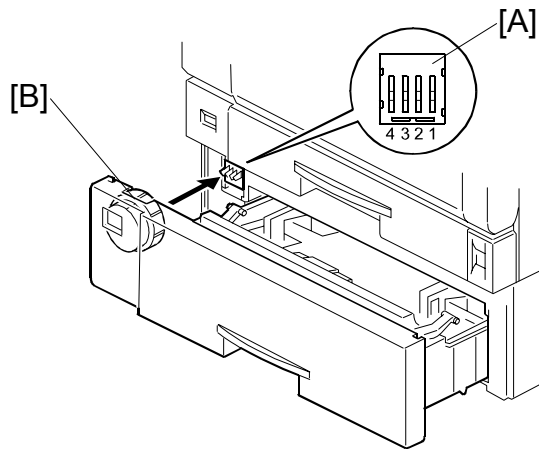
Amount of paper	Remaining paper sensor 1	Remaining paper sensor 2
0 sheets (0%)	On	On
50 sheets (10%)	On	On
250 sheets (50%)	On	Off
450 sheets (90%)	Off	Off
500 sheets (100%)	Off	On

OFF: Unblocked, ON: Blocked

2.2.5 PAPER SIZE DETECTION

Size	SW	1	2	3	4
A3		●	●	●	●
A4 LEF (Long Edge Feed)		●	●	○	○
A4 SEF (Short Edge Feed)		●	●	●	○
8 1/2" x 11" LEF		●	○	○	●
11" x 17"		●	○	●	●
14" x 8 1/2" SEF		●	○	●	○
11" x 8 1/2" SEF		●	●	○	●
* (Asterisk)		●	○	○	○

○: ON (Not pushed)
 ●: OFF (Pushed)



G555D102.WMF

[A]: Paper size switch
 [B]: Paper size dial

- The machine disables paper feed from a tray if the paper size cannot be detected (if the paper size actuator is broken or no tray is installed)
- When the paper size dial is at the "*" mark, the paper tray can be set up to accommodate one of a wider range of paper sizes by using a User Tool at the machine's operation panel (Paper Input menu – Tray Paper Size).

3. ENVELOPE FEEDER

3.1 OVERALL MACHINE INFORMATION

3.1.1 MECHANICAL COMPONENT LAYOUT

- This optional unit is a tray that slides into the optional paper feed unit, replacing the paper tray.
- If two optional trays have been installed, the envelope feeder must go into the top tray.
- The layout is the same as the paper tray.
- The tray pushes down and locks the mechanism in place
- The paper size can be fixed using the end fence.
- The end fence prevents the envelopes from overflowing and spilling out of the envelope unit.